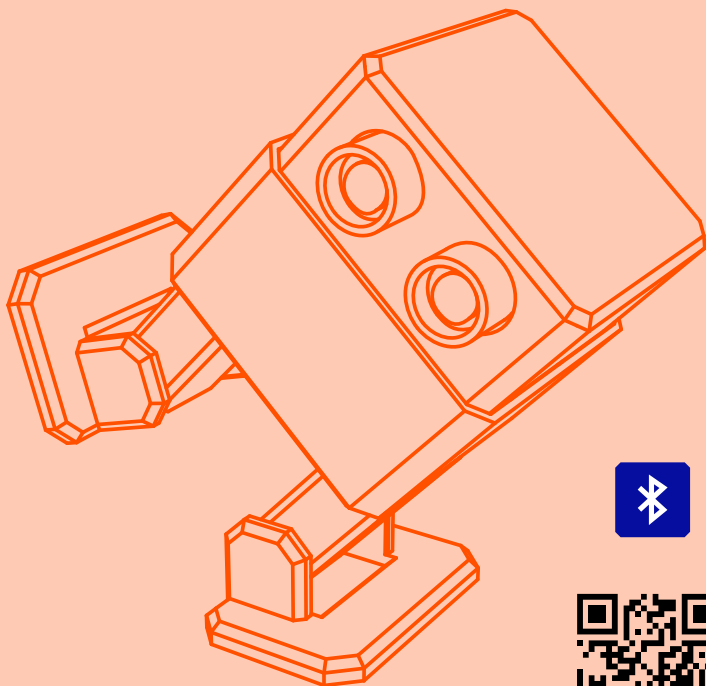




INSTRUCTION MANUAL

DIY+



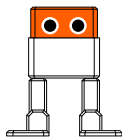
build your own robot



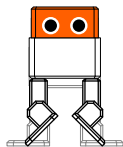
Otto is an interactive robot that anyone can make!

you will be able to build your own Otto in as little as one hour!
easy to build and disassemble with a simple screwdriver.

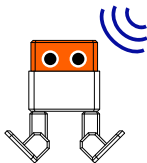
Bluetooth control & coding APP



stronger motors



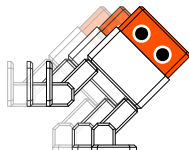
sound sensor



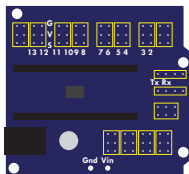
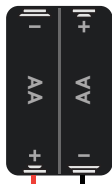
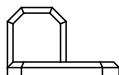
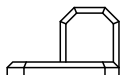
touch sensor



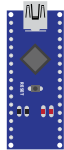
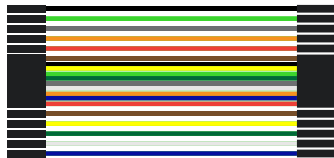
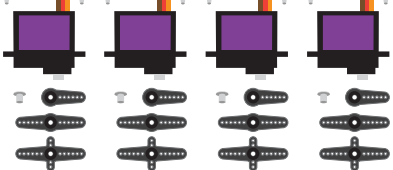
#OttoDIY
follow us!



PARTS



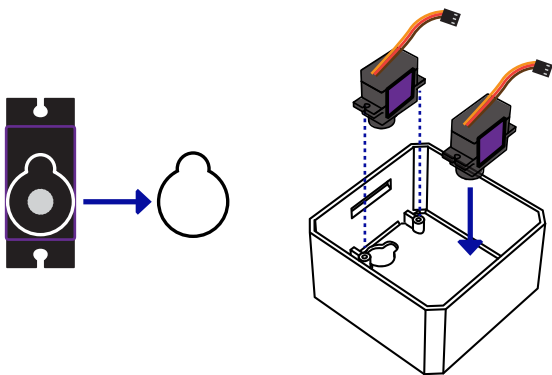
*4AA batteries not included



1

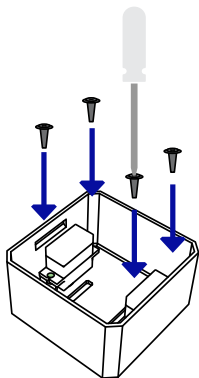


a



b

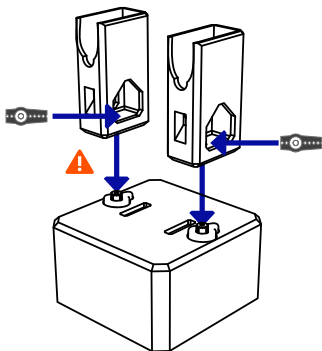
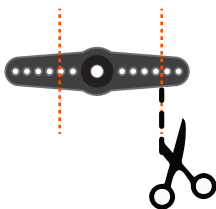

pointed screw x4



2



a



b

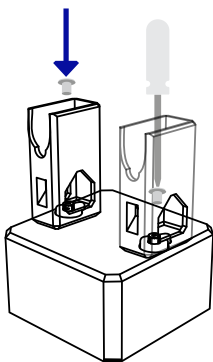
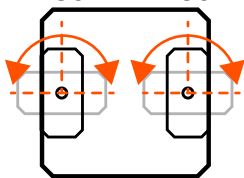


ANGLE

center the motors

180°

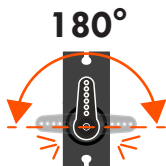
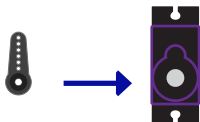
180°



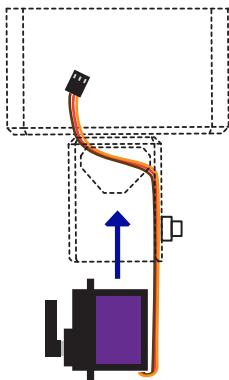
3



a



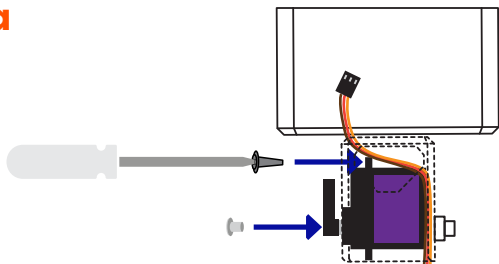
b



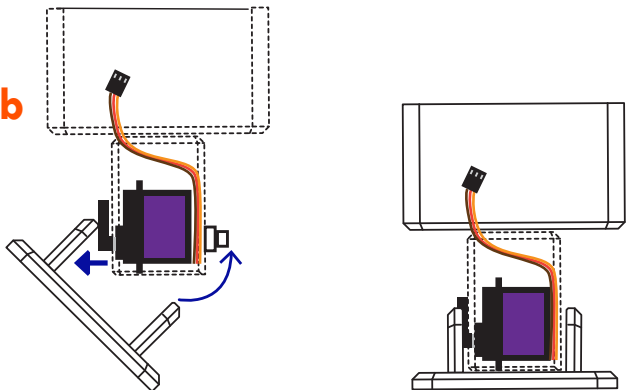
4



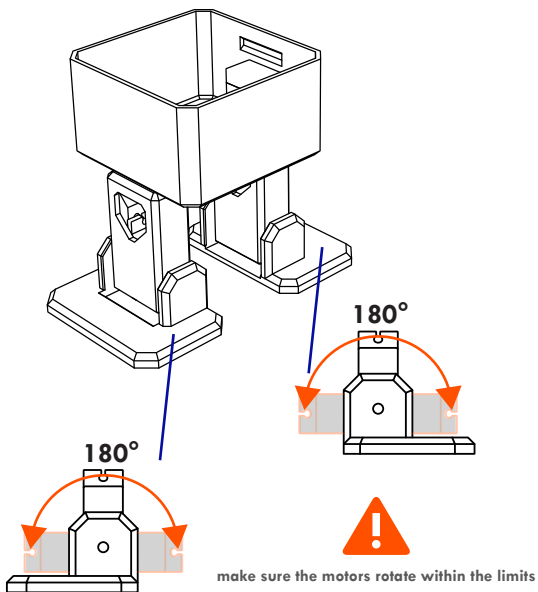
a



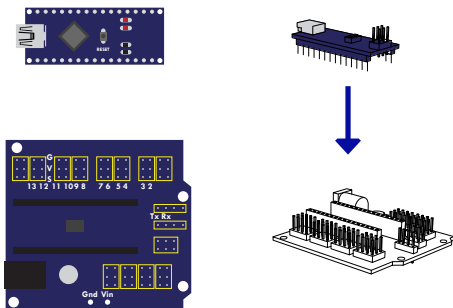
b



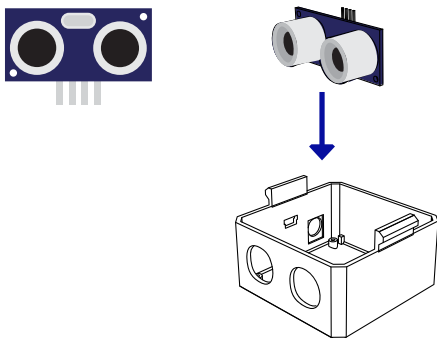
5

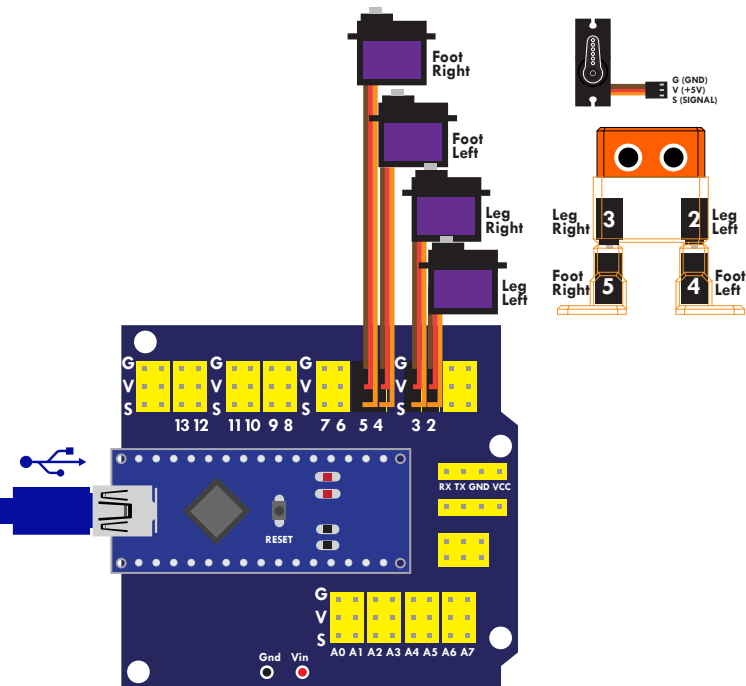


a



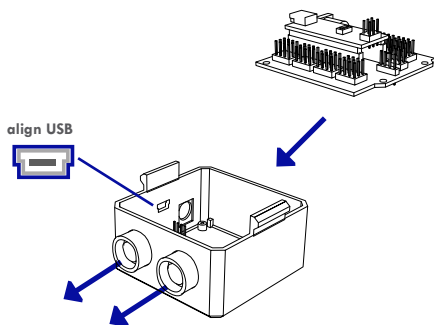
b



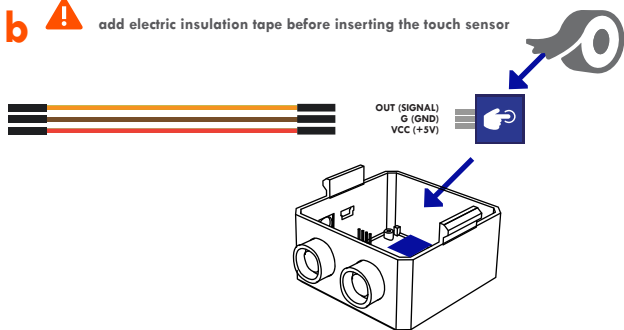


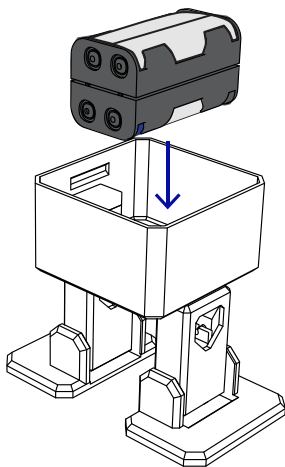
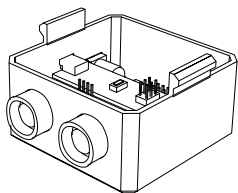
Upload Otto_smooth_criminal.ino code from this link:
[wikifactory.com/+OttoDIY/otto-diy-plus](https://www.wikifactory.com/+OttoDIY/otto-diy-plus)

a

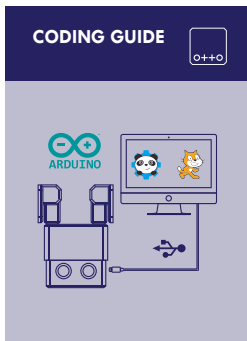
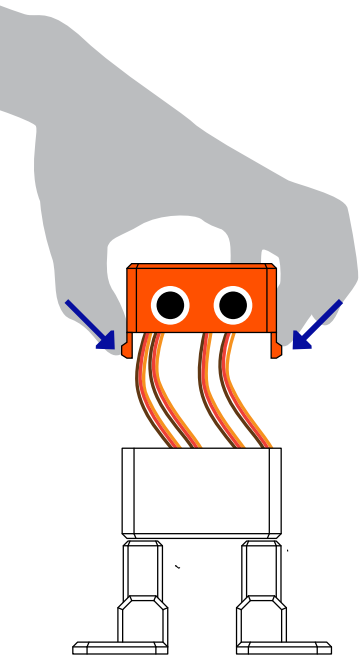


b  add electric insulation tape before inserting the touch sensor

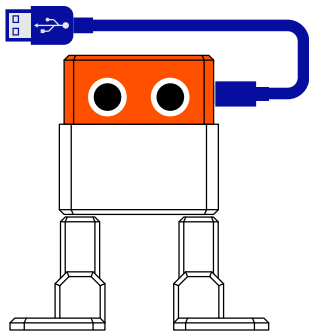




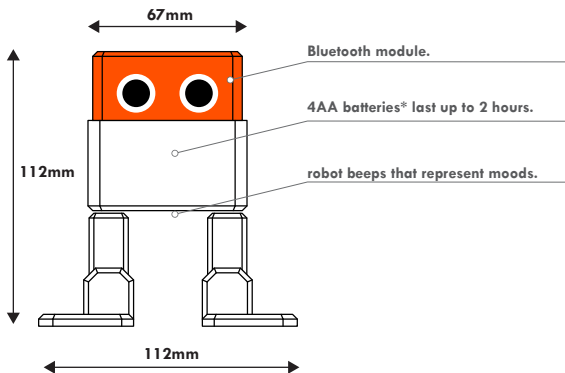
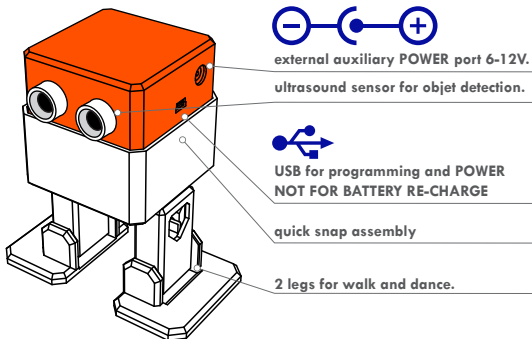
12



read the coding guide!



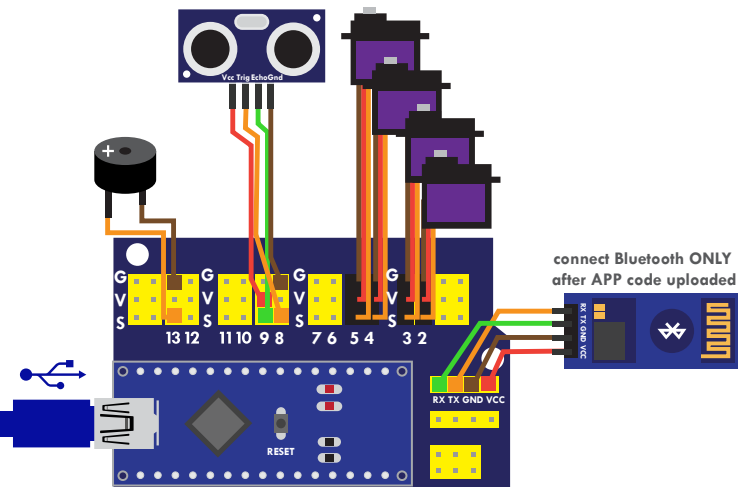
13



14




- a** **SIGN UP** in ottodiy.com
download and unzip `OttoDIY_PLUS_all.zip`
- b** copy Otto libraries into the Arduino IDE folder
- c** Upload `OttoDIYAPP_###.ino` sketch to Otto
- d** Connect the Bluetooth module

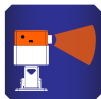
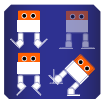


15



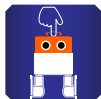
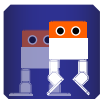
- d** install the APP .apk in your **Android** phone 
- e** enable Bluetooth, touch on find Otto and pair the Bluetooth address /name
- f** play with all the features and modes!

choreography



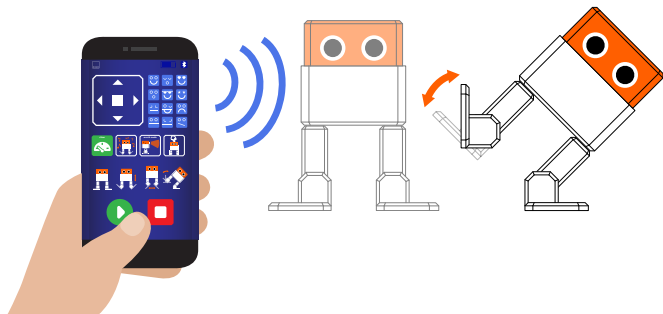
avoid mode

dance



touch sense

clap sense

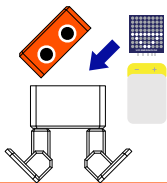


16

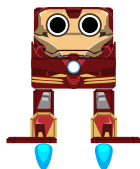


#OttoDIY share
post your creations!

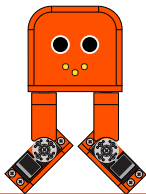
expand...



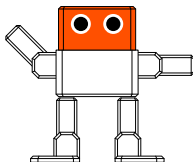
customize



remix



modify





wanted Otto builders

do you have what it takes?

[facebook.com/groups/ottodiy/](https://www.facebook.com/groups/ottodiy/)

